



H3194-RMT

H3194 Remote Bar Graph Display



- Shows web position in H3194-306-04 Eagle Eye field of view
- Allows the operator to remotely adjust the guide point of the Eagle Eye
- Can be used with a PLC to store and recall web-specific H3194 settings
- Plug-in connections

The H3194-RMT serves as a remote user interface in applications where the H3194-306-04 Eagle Eye detector is mounted in an inconvenient or inaccessible location. It provides a visual indication of the Eagle Eye's LED display. In addition to the display, the H3194-RMT provides a "Guide Point In/Out" adjust function identical to the one already provided on the Eagle Eye.

The H3194-RMT can be configured for operation with a SimPlex™ amplifier, a programmable logic controller (PLC), or both.

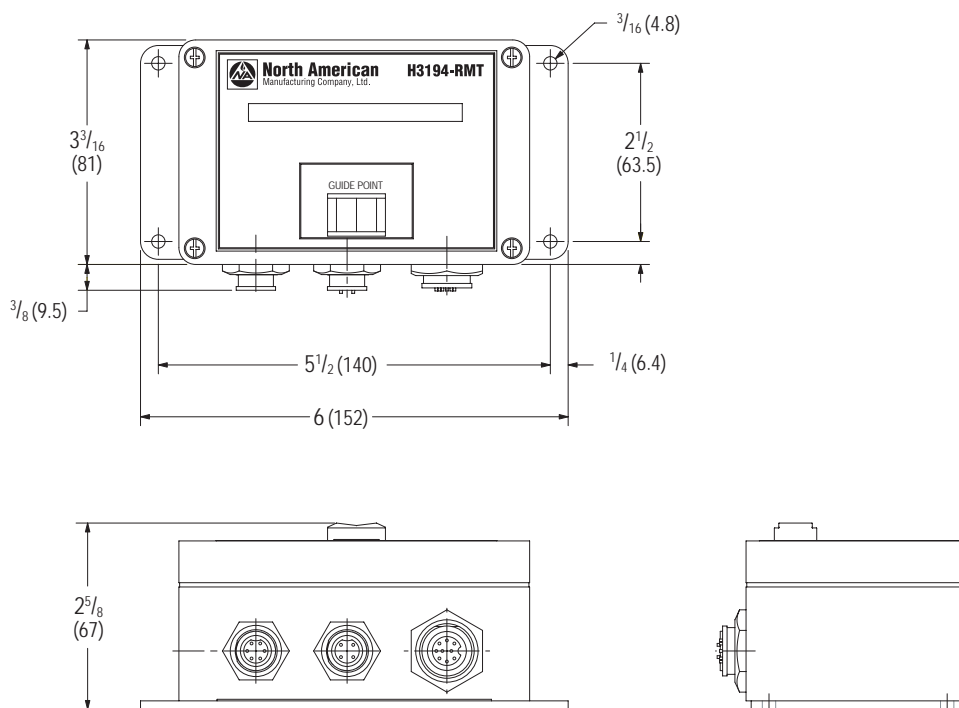
When used with a SimPlex amplifier, the H3194-RMT provides remote guide point adjustment capability as well as a visual indication of the web position. Featuring plug-in cables, the H3194-RMT easily connects in series with the H3194-306-04 Eagle Eye detector. (Note: The H3194-RMT is NOT compatible with the H3194-306-01, -02, or -03 detectors.)

When connected to a PLC only, the H3194-RMT provides the analog web position for control strategies implemented in the PLC. The PLC can also be used to store and retrieve web-specific H3194 settings.

When used with a PLC and a SimPlex amplifier, the SimPlex amplifier is used for web guiding control and the PLC is used to store and retrieve H3194 settings.

DIMENSIONS

inches (mm)



DIMENSIONS SHOWN ARE SUBJECT TO CHANGE. PLEASE OBTAIN CERTIFIED PRINTS FROM NORTH AMERICAN MFG. CO., LTD.
IF SPACE LIMITATIONS OR OTHER CONSIDERATIONS MAKE EXACT DIMENSION(S) CRITICAL.

SPECIFICATIONS

Model Numbers:

H3194-RMT-00	H3194 Remote Bar Graph Display
H3194RMT-SimPlex-15	15 foot cable, H3194-RMT to SimPlex™ Controller
H3194RMT-PLC-15	15 foot cable, H3194-RMT to PLC (PLC end un-terminated)
H3194RMT-3194-15	15 foot cable, H3194-RMT to H3194-306-04 Eagle Eye detector

Ambient Temperature: 32-122 F (0-50 C)

Power Requirement: 15-24 V dc at 0.45 watts (can be provided by SimPlex controller)

Input Signal: 0-2.5 V dc or ±10 V dc, switch selectable

Number of bar graph segments: 30

Resolution: 0.150" (3.81mm)

Housing Material: Aluminum

Dimensions: 6" L × 3 3/8" W × 2 5/8" H

Weight: 1.1 lb (0.51 kg)

Housing Seal Rating: IP64

International Headquarters

North American Mfg. Co., Ltd.

4455 EAST 71st STREET, CLEVELAND, OH 44105-5600 USA
Tel: 216.271.6000 Fax: 216.641.7852

email: sales@namfg.com • www.namfg.com

North American Mfg. (Canada) Inc.

540 PIERCEY RD., BOLTON, ONT. L7E 5B4, CANADA
Tel: 905.857.3337 Fax: 905.857.0304