

H3189 Miniature Discriminating Detector

Narrow Proportional Band



- Extremely small, rugged housing
- Rejects ambient light effects
- 0.075" field of view
- Plug connection at amplifier for easy installation
- Surface mount electronics

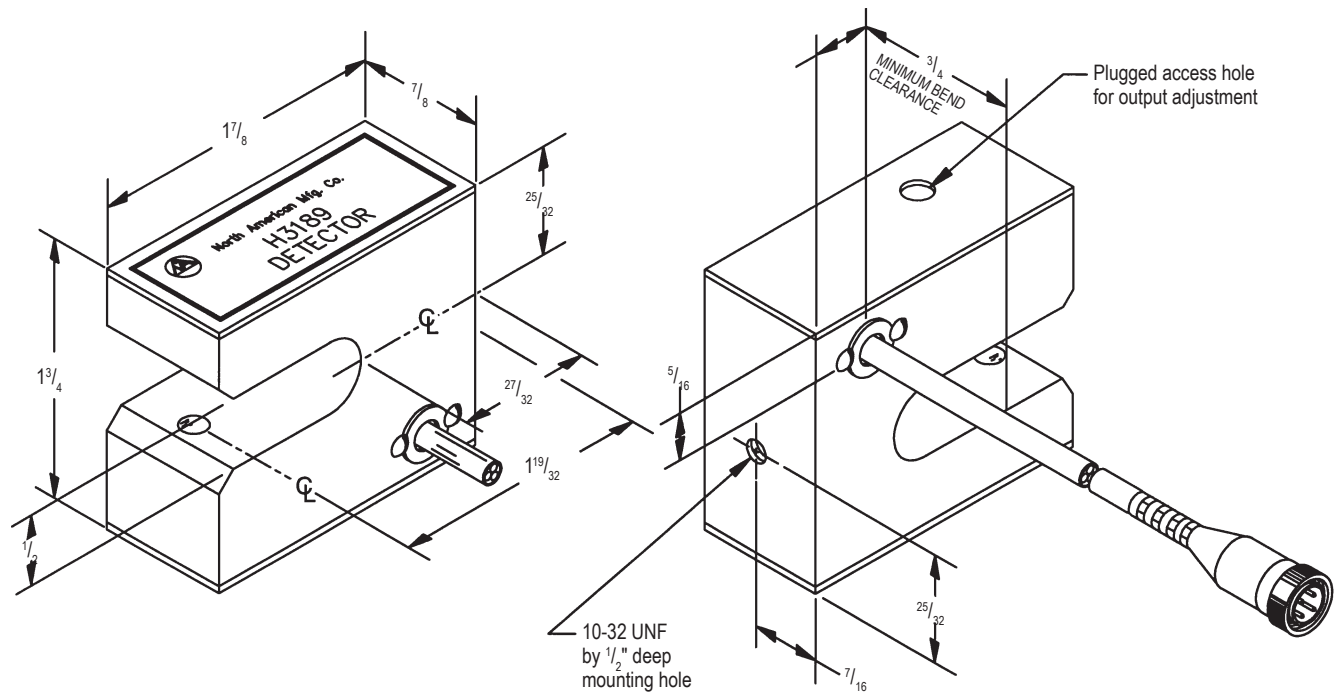
The H3189 is a miniature photoelectric discriminating detector specifically designed for situations where space is a consideration. Its small size and narrow field of view are ideal for applications involving very narrow webs. Its small field of view is also especially useful on clear films where printing is close to the edge, a situation that negatively affects detectors with wider fields of view. Capable of sensing both opaque and transparent webs, the H3189 is used for edge guide applications.

The H3189 modulation technique allows detector and amplifier systems to discriminate between the web position signal and ambient light interface. A photodiode is used as the light detector, providing linear response over a small field of view.

Supplied with an emitter 7 or 15 foot cable, the H3189 plugs directly into Fives North American's electronic amplifiers. A #10-32 threaded hole facilitates easy customer mounting into even the tightest locations.

DIMENSIONS

inches



DIMENSIONS SHOWN ARE SUBJECT TO CHANGE. PLEASE OBTAIN CERTIFIED PRINTS FROM FIVES NORTH AMERICAN COMBUSTION, INC. IF SPACE LIMITATIONS OR OTHER CONSIDERATIONS MAKE EXACT DIMENSION(S) CRITICAL.

SPECIFICATIONS

Model numbers:

H3189-062-05A 15 ft cable and connector for H6400 controller
H3189-062-05E 7 ft cable and connector for H6400 controller
H3189-6415-07 7 ft cable and connector for SimPlex™ controller

Supply voltage: 15 V dc (supplied by amplifier)

Field of view: 0.075°

Power consumption: 200 mW

Light source: GaAlAs LED; 875 nm wavelength (infrared)

Light receiver: photodiode

Compatible web materials: clear film (0.5 mil minimum thickness)
to opaque

Housing material: anodized aluminum

Operating temperature: 32-122 F (0-50 C)

Size: $7\frac{1}{8}$ " W × $1\frac{3}{4}$ " H × $1\frac{7}{8}$ " D

Cable termination: circular connector

Cable length: 7 or 15 feet

Gap dimension: $\frac{1}{2}$ "

Fives North American Combustion, Inc. Guiding Systems

4455 EAST 71st STREET, CLEVELAND, OH 44105 USA
Tel: 216.271.6000 Fax: 216.641.7852

email: fna.guiding@fivesgroup.com - www.fivesgroup.com/fivesna