



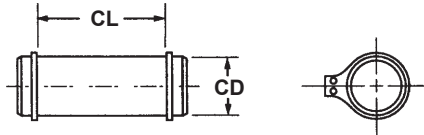
BRACKETS AND PINS FOR NORTH AMERICAN ACTUATORS

Actuator	Item	Part Number	Information
H5530C-XX-XX	Body and Rod Pivot Pins	H0635-14-1	M5 x 0.8 x 10mm Socket Shoulder Bolt
H5530D-XX-XXXX and H5530E-XX-XXX	Body Pivot Pin Rod Pivot Pin Body Clevis Bracket Rod Clevis Bracket	H0184-40-021 H0184-45-010 H0184-38-080 H5530-401	1/2" dia. x 1 7/8" pin (Parker #68368) 7/16" dia. x 1 5/16" pin (Parker #74078) Bracket for 1/2" dia. pin (Parker #69205) Bracket for 7/16" dia. pin (Reworked H0184-38-081)
H5530G-XX-XXXX H5530H-XX-XXXX H5530H-SXX-XXXX	Body and Rod Pivot Pins Body Rod and Clevis Brackets	H0184-40-021 H0184-38-080	1/2" dia. x 1 7/8" pin (Parker #68368) Bracket for 1/2" dia. pin (Parker #69205)
H5530J-XX-XXXX H5530KX-XXXXXXX and H5530L-XX-XXXX	Rod Pivot Pin (for H7507-3) Rod Pivot Pin (for H0184-38-083) Rod Clevis Bracket Rod Clevis Bracket Regular Bracket for Trunion Mnt. Side Mnt. Bracket for Trunion Mnt.	H0184-40-084 H0184-40-080 H7507-3 H0184-38-083 H7507-8 H5530-356	3/4" dia. x 2 1/32" pin (Parker #83963) 3/4" dia. x 2 5/8" pin (Parker #68369) Bracket for 3/4" pin (NA Drawing. H7507-3) Bracket for 3/4" dia. pin (Parker #69706) NA Drawing H7507-8 for 1" pins NA Drawing H5530-356 for 1" pins

DIMENSIONS

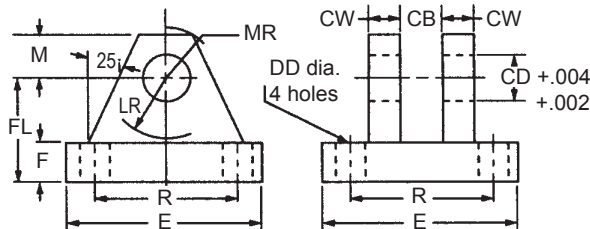
inches (mm)

Pivot Pins



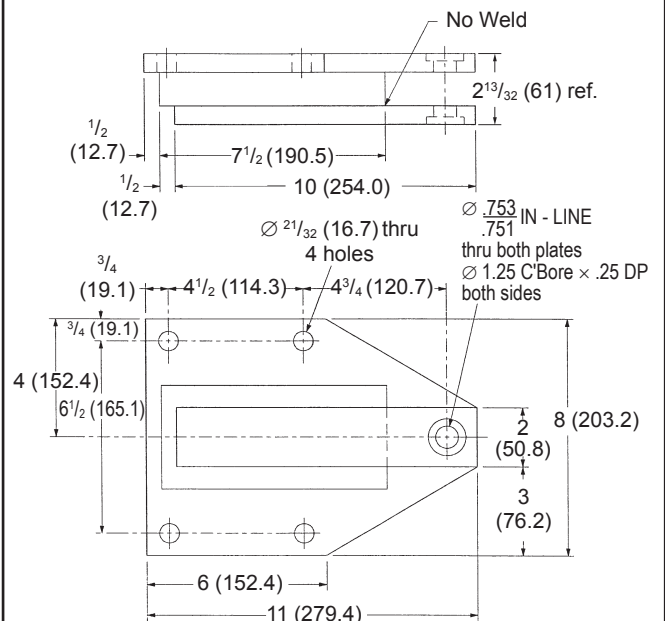
	CD	CL
H0184-40-021	1/2 (12.7)	1 7/8 (47.6)
H0184-45-010	7/16 (11.1)	1 5/16 (33.3)
H0184-40-084	3/4 (19)	2 1/32 (51.6)
H0184-40-080	3/4 (19)	2 5/8 (66.6)

Clevis Bracket



	H5530-401	H0184-38-080	H0184-38-083
CB	.624 (15.8)	3/4 (19.1)	1 1/4 (31.7)
CD	7/16 (11.1)	1/2 (12.7)	3/4 (19)
CW	3/8 (9.5)	1/2 (12.7)	5/8 (15.9)
DD	.30 (7.6)	13/32 (10.3)	17/32 (13.5)
E	2 1/4 (57.2)	3 1/2 (88.9)	5 (127)
F	3/8 (9.5)	1/2 (12.7)	5/8 (15.9)
FL	1 (25.4)	1 1/2 (38.1)	1 7/8 (47.6)
LR	5/8 (15.9)	3/4 (19.1)	1 3/16 (30.1)
M	3/8 (9.5)	1/2 (12.7)	3/4 (19)
MR	1/2 (12.7)	5/8 (15.9)	29/32 (23)
R	1.75 (44.5)	2.55 (64.8)	3.82 (97)
Load Capacity lb. ⇐	3600	7300	14000

H7507-3



DIMENSIONS SHOWN ARE SUBJECT TO CHANGE. PLEASE OBTAIN CERTIFIED PRINTS FROM FIVES NORTH AMERICAN COMBUSTION, INC. IF SPACE LIMITATIONS OR OTHER CONSIDERATIONS MAKE EXACT DIMENSION(S) CRITICAL.

