

H5530K Actuator

for Electro-Mechanical Guiding Systems



- Long lasting, efficient ball screw actuation
- Up to 4000 pounds of thrust
- NFPA style front flange or trunnion mounting
- All steel geared transmission
- Brake option provides positive lock when actuator motor is inhibited
- Clean, maintenance free operation
- IP65 rating
- Adjustable end of stroke limits

The 5530K Actuator is a rugged, powerful unit designed for use in a wide range of heavy duty applications. Low backlash construction provides precise movement of heavy loads. A large diameter ball screw coupled to an all-steel spur gear transmission provides long term trouble-free performance. A brush-type dc servo motor is conservatively sized to deliver the necessary torque. Shock loads normally associated with an end of travel stop, are prevented by use of adjustable limit switches. Thrust is taken by a tapered roller thrust bearing, selected for extended, maintenance free operation.

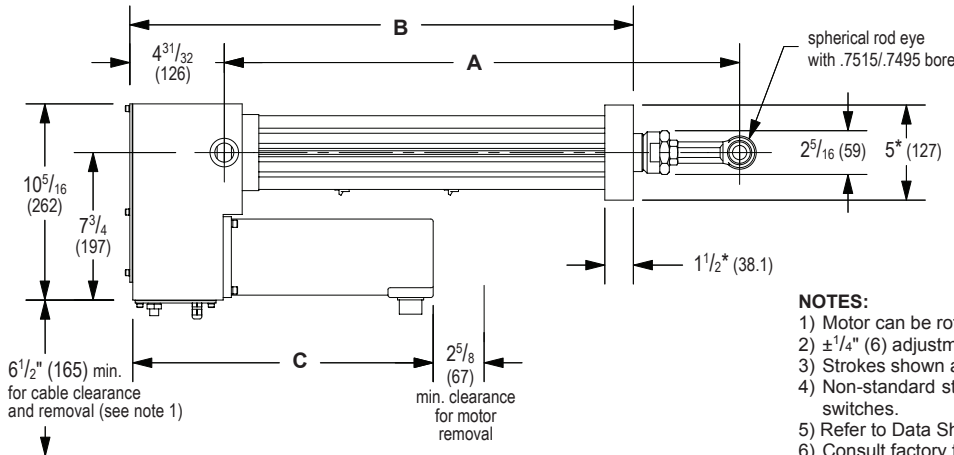
Power is provided by the companion H6350 motor drive. This drive has a current limit feature that protects the motor under a stall condition.

The H5530K is available in thrusts of 3,000 and 4,000 pounds and standard strokes of 9" and 12". A 6" stroke actuator can be made to order. Adjustable limit switches are used to facilitate restricting strokes to non-standard values. If space is limited, units can be custom engineered.

Cable assemblies and trunnion mounting supports are available and must be ordered separately.

DIMENSIONS

inches (mm)

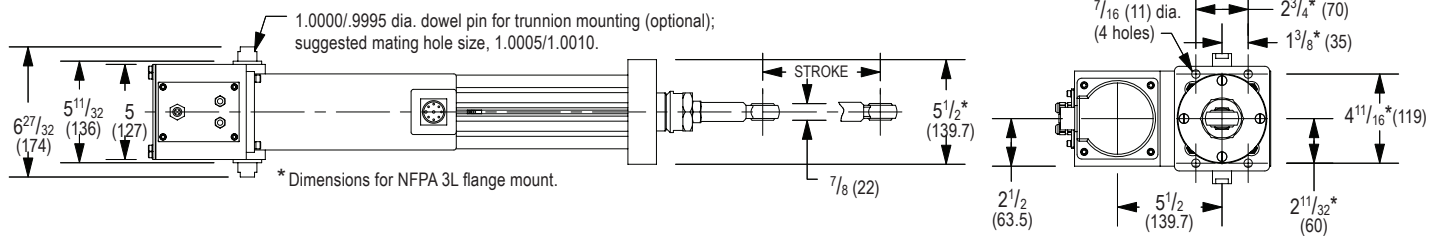


RATED THRUST	Motor Dimension C	
	without brake	with brake
3000 (13.35 kN)	15 ¹³ / ₁₆ (402)	18 ¹ / ₄ (464)
4000 (17.80 kN)	15 ¹³ / ₁₆ (402)	18 ¹ / ₄ (464)

ACTUATOR STROKE	A (see note 3)		B
	min.	max.	
6 (152)	20 ¹⁵ / ₁₆ (532)	26 ¹⁵ / ₁₆ (684)	20 ¹⁹ / ₃₂ (523)
9 (229)	23 ¹⁵ / ₁₆ (608)	32 ¹⁵ / ₁₆ (837)	23 ¹⁹ / ₃₂ (599)
12 (305)	26 ¹⁵ / ₁₆ (684)	38 ¹⁵ / ₁₆ (989)	26 ¹⁹ / ₃₂ (675)

NOTES:

- 1) Motor can be rotated to prevent cable interference.
- 2) ±1/4" (6) adjustment available with the rod eye.
- 3) Strokes shown are nominal lengths.
- 4) Non-standard strokes can be accommodated by adjusting limit switches.
- 5) Refer to Data Sheet DS10051-15.00 for mounting brackets.
- 6) Consult factory for longer strokes.



DIMENSIONS SHOWN ARE SUBJECT TO CHANGE. PLEASE OBTAIN CERTIFIED PRINTS FROM FIVES NORTH AMERICAN COMBUSTION, INC.
IF SPACE LIMITATIONS OR OTHER CONSIDERATIONS MAKE EXACT DIMENSION(S) CRITICAL.

SPECIFICATIONS

Force output: See Table

Nominal speed: 1.25 in./sec. (31 mm/sec.) for 3000 lb (13.35 kN) thrust
.75 in./sec. (19 mm/sec.) for 4000 lb (17.80 kN) thrust

Power: See H6350 Bulletin

Operating temperature range: 32-120 F (0-49 C)

Cables: (Other lengths available up to 125')
H6350-5530K-20L 20' (6.1 m) motor cable
H5530-F5L-6S 21' (6.5 m) limit switch cable

Total backlash: .005" (.13 mm) nominal

Strokes: 6" (152 mm), 9" (229 mm), and 12" (305 mm) standard. Other strokes available.

Backdrive force (unpowered):

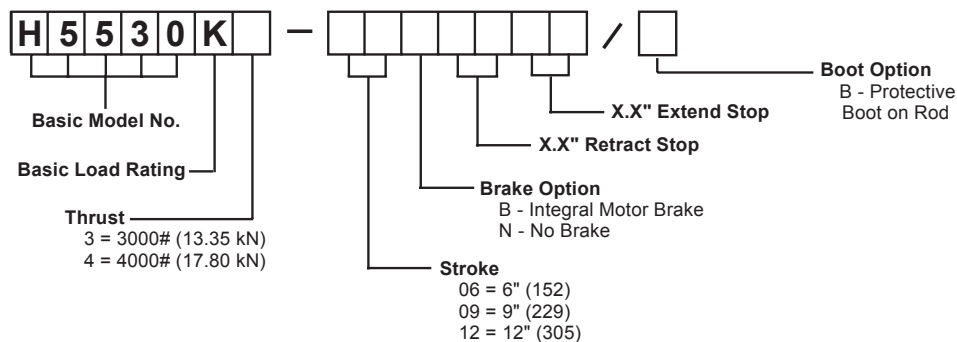
Without optional brake: 350 lb (1557 N) holding force.
With optional brake: Will hold rated thrust from table.

Side load capability: 125 lb (556 N)

(Note: The actuator is intended for axial loading only.)

Weight: 87 lb (39 kg) [12" (305 mm) stroke with motor]

MODEL No. CODING



Fives North American Combustion, Inc. Guiding Systems

4455 EAST 71st STREET, CLEVELAND, OH 44105 USA

Tel: 216.271.6000 Fax: 216.641.7852

email: fna.guiding@fivesgroup.com - www.fivesgroup.com/fivesna