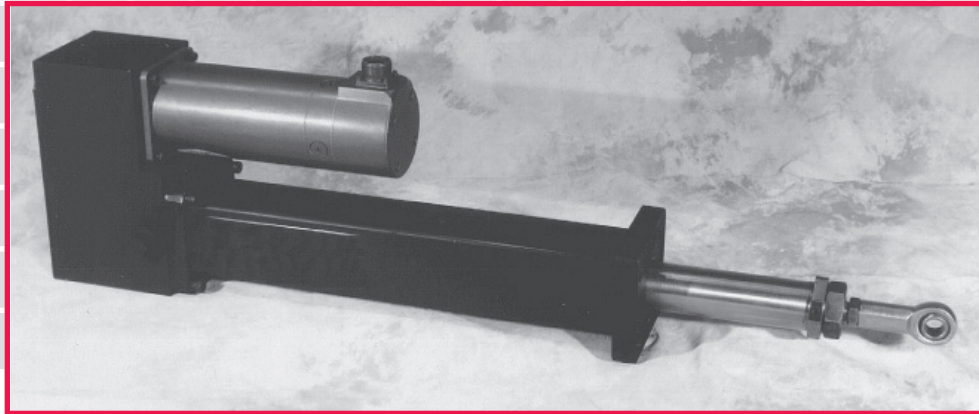


SimPlex™ H5530J Actuator



- Long lasting, efficient ball screw actuation
- Up to 2000 pounds (8.9 kN) of thrust
- NFPA style front flange or trunnion mounting
- All steel geared transmission
- Double acting end of travel cushion
- Output rod anti-rotation device
- Brake option provides positive lock when actuator motor is inhibited
- Clean, maintenance free operation

The SimPlex 5530J Actuator is a rugged, powerful unit designed for use in a wide range of heavy duty applications. Low backlash construction provides precise movement of heavy loads. A large diameter ball screw coupled to an all-steel spur gear transmission provides long term trouble-free performance. A brush-type dc servo motor is conservatively sized to deliver the necessary torque. Shock loads normally associated with an end of travel stop, are prevented by use of an internal double acting cushion. Thrust is taken by a tapered roller thrust bearing, selected for extended, maintenance free operation.

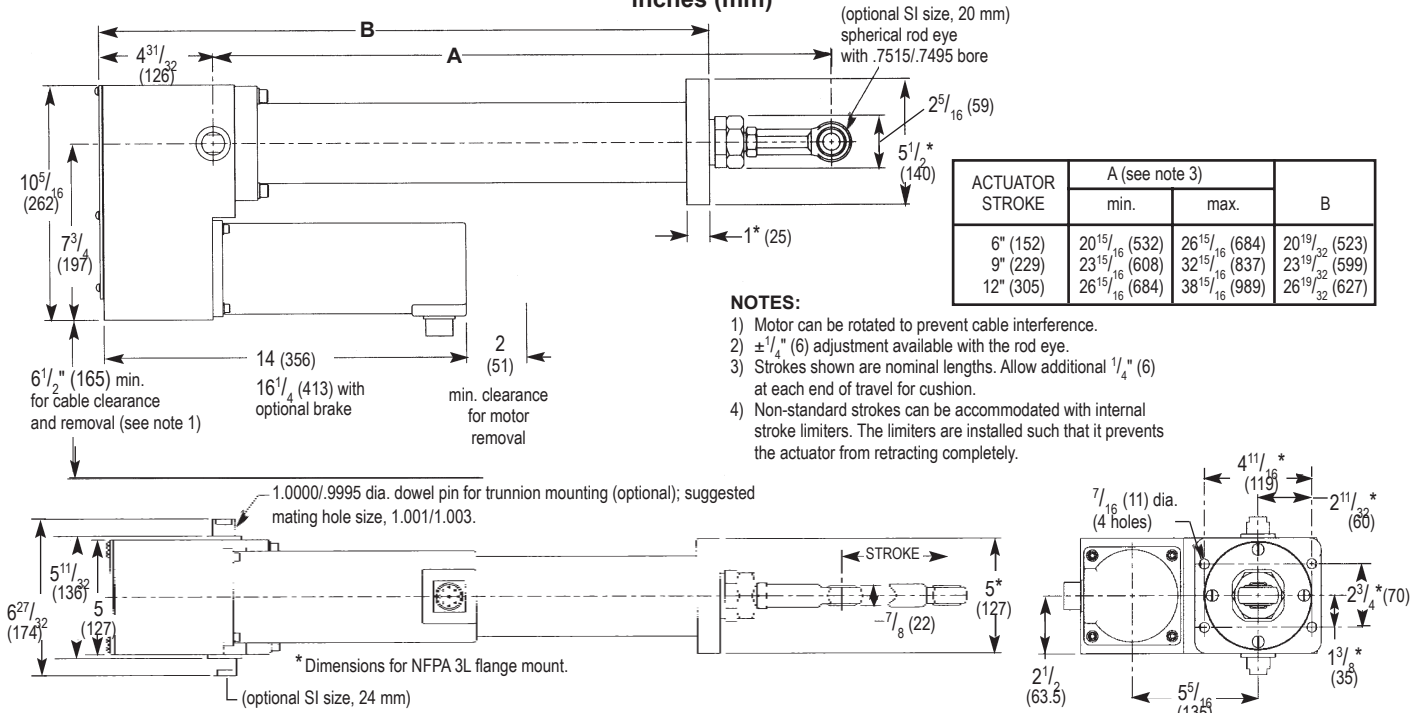
Power is provided by the H6425-AMP SimPlex Electronic Controller. This drive has a current limit feature that protects the motor under a stall condition, therefore end of travel limit switches are not required.

The H5530J is available in several standard strokes. Stroke limiters are used to facilitate restricting strokes to non-standard values.

Cable assemblies and trunnion mounting supports are available and must be ordered separately.

DIMENSIONS

inches (mm)



DIMENSIONS SHOWN ARE SUBJECT TO CHANGE. PLEASE OBTAIN CERTIFIED PRINTS FROM FIVES NORTH AMERICAN COMBUSTION, INC.
IF SPACE LIMITATIONS OR OTHER CONSIDERATIONS MAKE EXACT DIMENSION(S) CRITICAL.

SPECIFICATIONS

Force output: 2000 lb (8.9 kN)

Nominal speed: .67 in./sec. (17 mm/sec.)

Operating temperature range: 32-120 F (0-49 C)

Weight: 85 lb (39 kg) [12" stroke with motor]

Total backlash: .005 (.13) nominal

Strokes: 6" (152), 9" (229), and 12" (305) standard. Other strokes available.

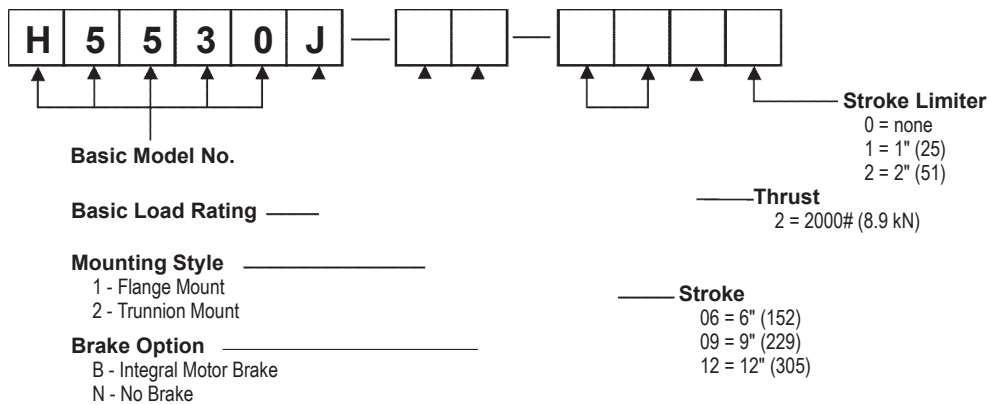
Backdrive force (unpowered):

Without optional brake: 350 lb (157 N) holding force.

With optional brake: Will hold rated thrust from table.

Side load considerations: The actuator is intended for axial loading only. Proper alignment is required.

Model No. Coding



Fives North American Combustion, Inc. Guiding Systems

4455 EAST 71st STREET, CLEVELAND, OH 44105 USA
Tel: 216.271.6000 Fax: 216.641.7852

email: fna.guiding@fivesgroup.com • www.fivesgroup.com/fivesna