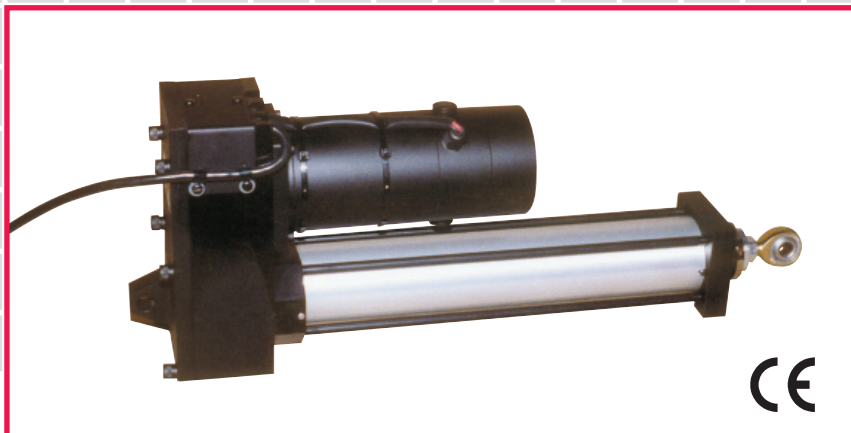


SimPlex™ H5530H Actuator

for Electro-Mechanical Guiding Systems



- 1000 pounds (4448 newtons) thrust
- In-line and flange mount options
- Standard 6" (152 mm), 9" (229 mm), and 12" (305 mm) strokes
- Brake option provides positive lock when actuator motor is inhibited
- Clean operation, free of hydraulic oil
- Smooth linear ball screw actuation
- Low backlash drive for optimum performance
- Reliable, maintenance-free operation
- Integral end-of-travel cushion eliminates the need for limit switches

The H5530H Actuator is a compact, powerful unit designed for a wide range of applications. Driven by a high power density dc servo motor through precision, low backlash mechanical components, it provides precise positioning control at heavy loads. Its clean, hydraulic oil-free operation makes it an excellent alternative to hydraulic cylinder actuators.

Installation of the H5530H is simple. Power is provided through a plug-in connection to the H6425 controller. The standard cable is 15 feet (4.5 m) long. In most cases it is attached directly to a shifting unwind/rewind stand, Adjusta-Guide®, or displacement guide.

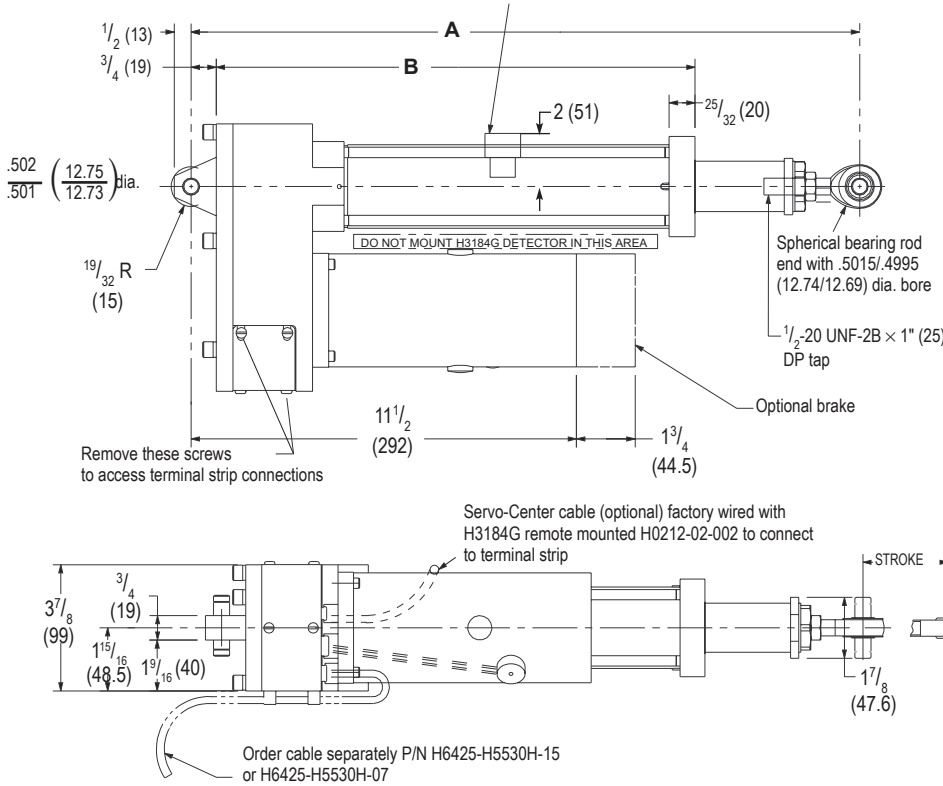
Optional internal stroke limiters are available to restrict strokes to non-standard values. Stroke lengths greater than 12" (305 mm) are available but not stocked. Consult Fives North American with your application.

H5530H Actuators are completely enclosed, with a sealed-in bearing and ball screw. There are no bothersome periodic routine maintenance requirements with this unit.

DIMENSIONS

inches (mm)

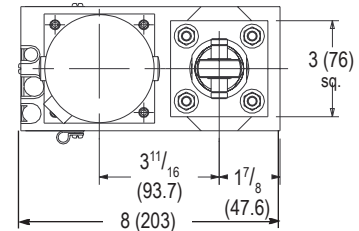
H3184G Magnetic Servo-Center Detector (optional) adjustable servo-center position on three sides of actuator except near motor as noted. 1.5" clearance is required from steel framework.



NOTES:

- 1) Attachment to actuated device must provide anti-rotation torque.
- 2) Non-standard strokes can be accommodated with internal stroke limiters. The limiter is installed such that it prevents the actuator from retracting completely. ($A_{min} = 11\frac{1}{2}" (292\text{ mm}) + \text{actual stroke.}$)
- 3) Consult factory for longer strokes.
- 4) Strokes shown are nominal lengths. Allow additional $\frac{1}{8}" (3\text{ mm})$ at each end for end of travel cushion.
- 5) $\pm\frac{1}{4}" (6\text{ mm})$ adjustment available at rod end.
- 6) For flange mount, refer to Dwg. H5530H-200-4. For in-line mount, refer to Dwg. H5530H-200-3.
- 7) The integral wiring compartment contains a field removable connector with motor, brake, servo center sensor, and amplifier cable connections.

STROKE (Notes 4 and 5)	A		B
	min. (Note 2)	max.	
6" (152 mm)	17 $\frac{1}{2}$ " (444 mm)	23 $\frac{1}{2}$ " (597 mm)	14 $\frac{1}{16}$ " (368 mm)
9" (229 mm)	20 $\frac{1}{2}$ " (521 mm)	29 $\frac{1}{2}$ " (749 mm)	17 $\frac{1}{16}$ " (443 mm)
12" (305 mm)	23 $\frac{1}{2}$ " (597 mm)	35 $\frac{1}{2}$ " (902 mm)	20 $\frac{1}{16}$ " (519 mm)
24" (610 mm)	35 $\frac{1}{2}$ " (902 mm)	59 $\frac{1}{2}$ " (1511 mm)	32 $\frac{1}{16}$ " (824 mm)



DIMENSIONS SHOWN ARE SUBJECT TO CHANGE. PLEASE OBTAIN CERTIFIED PRINTS FROM FIVES NORTH AMERICAN COMBUSTION, INC.
IF SPACE LIMITATIONS OR OTHER CONSIDERATIONS MAKE EXACT DIMENSION(S) CRITICAL.

SPECIFICATIONS

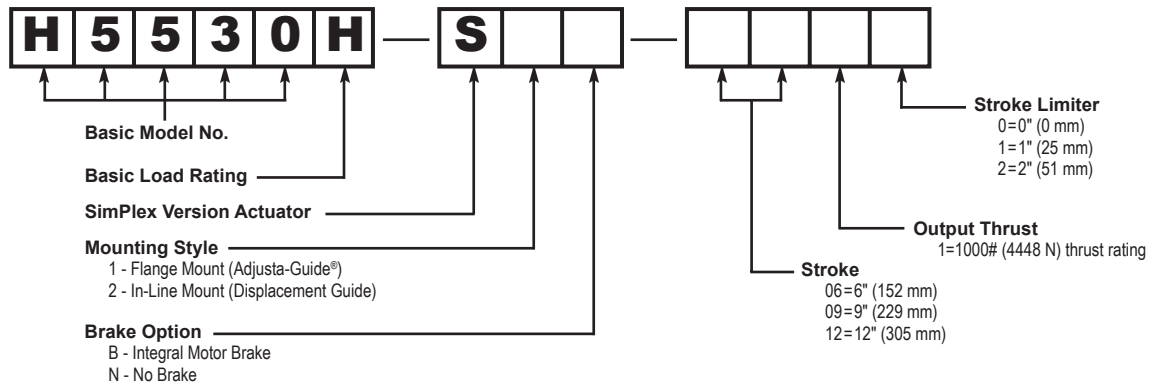
- Force output:** 1000 lb (4448 N) thrust
- Nominal speed:** 1.5 in./sec. (38 mm/sec.)
- Operating temperature range:** 32-120 F (0-49 C)
- Weight:** 30 lb (133 N) [9" stroke]
- Backlash:** .005" (.127 mm) nominal
- Strokes:** 6" (152 mm), 9" (229 mm), and 12" (305 mm) standard. Other strokes available.
- Cable:** PN H6425-5530H-07 (7 ft [2.1 m]) or H6425-5530H-15 (15 ft [4.5 m])

- Backdrive force (unpowered):**
 - Without optional brake:** 160 lb (712 N)
 - With optional brake:** At rated thrust

- Side load capability:** 100 lb (445 N)
 (Note: The actuator is intended for axial loading only. Customer mounting must incorporate provisions to prevent excessive side loading.)

- Mounting:** In-line unit includes 2 clevis pins PN H0184-40-021. For mounting clevis, order PN H0184-38-080.

Model No. Coding



Fives North American Combustion, Inc. Guiding Systems

4455 EAST 71st STREET, CLEVELAND, OH 44105 USA
Tel: 216.271.6000 Fax: 216.641.7852

email: fna.guiding@fivesgroup.com • www.fivesgroup.com/fivesna