

1821A ball valves are constructed of heavy duty forged brass. They are designed for industrial, residential and commercial use on steam, water, oil or gas. Their full ports allow for a maximum of flow and a minimum of pressure drop or turbulence. The heavy duty bottom loaded stem utilizes both a teflon thrust washer and viton o-ring. The valve is AGA and CGA certified, UL listed, and FM approved.

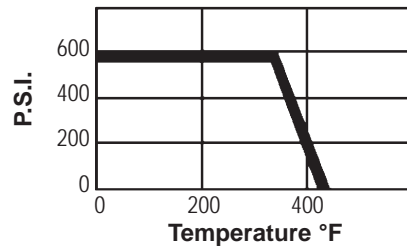
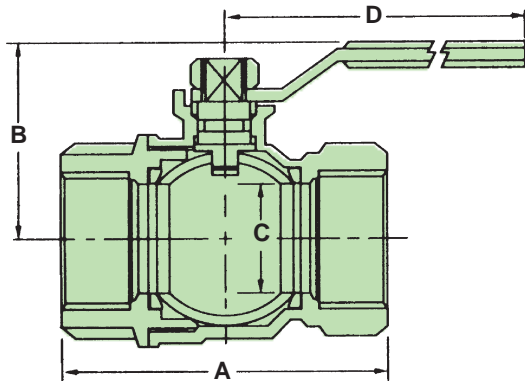
Conforms to Federal Specifications WWV-35C.
For 2 1/2" and 3" size, see Bulletin 1821/1824.

Pressure Ratings:

- 125 psi: Natural gas; CSA certified; ANSI/ASME B16.33
- 400 psi: Natural gas; UL guide YRPV
- 400 psi: LP gas; UL guide YSDT
- 600 psi: Flammable liquid; UL guide YRBX
- 400 psi: #6 oil at 250 F; UL guide MHKZ
- 600 psi: W.O.G. non-shock (water, oil, gas)
- 150 psi: W.S.P. (working steam pressure)



1821A HIGH PRESSURE VALVES



1821A ball valves are available for oxygen service. They are UL listed. To order, specify: 1821A-1-C.
1821A ball valves are also available with locking handles. They are UL listed. To order, specify: 1821A-1-LH.

1821A	Valve size	dimensions in inches				C _v rating
		A	B	C	D	
-03	1/4"	1 ²⁵ / ₃₂	1 ⁹ / ₃₂	1 ³ / ₃₂	3 ³ / ₃₂	7.68
-02	3/8"	1 ²⁵ / ₃₂	1 ⁹ / ₃₂	1 ³ / ₃₂	3 ³ / ₃₂	7.80
-01	1/2"	2 ³ / ₃₂	1 ⁷ / ₁₆	1 ⁹ / ₃₂	3 ³ / ₃₂	14.2
-0	3/4"	2 ¹¹ / ₃₂	1 ⁷ / ₈	1 ³ / ₁₆	3 ²⁵ / ₃₂	28.6
-1	1"	2 ²³ / ₃₂	2 ¹ / ₃₂	1	3 ²⁵ / ₃₂	56.4
-2	1 1/4"	3 ⁹ / ₃₂	2 ⁷ / ₃₂	1 1/4	3 ²⁵ / ₃₂	114.0
-3	1 1/2"	3 ²³ / ₃₂	2 ²⁵ / ₃₂	1 ¹⁹ / ₃₂	5 ⁷ / ₁₆	162.9
-4	2"	4 ⁹ / ₃₂	3 ³ / ₃₂	2	5 ⁷ / ₁₆	245.6

DIMENSIONS SHOWN ARE SUBJECT TO CHANGE. PLEASE OBTAIN CERTIFIED PRINTS FROM FIVES NORTH AMERICAN COMBUSTION, INC. IF SPACE LIMITATIONS OR OTHER CONSIDERATIONS MAKE EXACT DIMENSION(S) CRITICAL.

WARNING: Situations dangerous to personnel and property may exist with the operation and maintenance of an combustion equipment. The presence of fuels, oxidants, hot and cold combustion products, hot surfaces, electrical power in control and ignition circuits, etc., are inherent with any combustion application. Parts of this product may exceed 160F in operation and present a contact hazard. Fives North American urges compliance with National Safety Standards and insurance Underwriters recommendations, and care in operation.

Fives North American Combustion, Inc., 4455 East 71st Street, Cleveland, OH 44105 USA, Phone 216.271.6000
 Fax 216.641.7852 email: fna.sales@fivesgroup.com • www.fivesgroup.com/fivesna