

North American now offers, as a standard option, 1600 Air Motors with high and low NEMA 4 SPDT limit switches mounted (either or both).

Dimensions are shown on this sheet--refer to Bulletin 1600 for air motor dimensions.

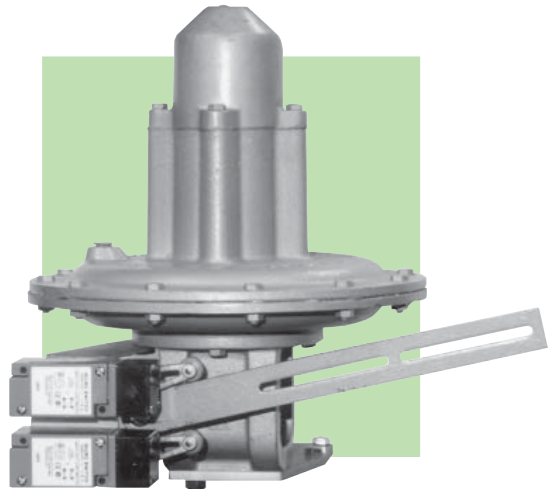
To order, specify: 1600-(5, 6, 2, or 1 for lever arm)-(P, B, BP, HL, H or L for options as required) Air motor. H is for high limit NEMA 4 switch, and L for low limit NEMA 4 switch.

**Examples:** 1600-5-HL Air Motor with 2-2207-5 lever arm and high and low NEMA 4 limit switches mounted.

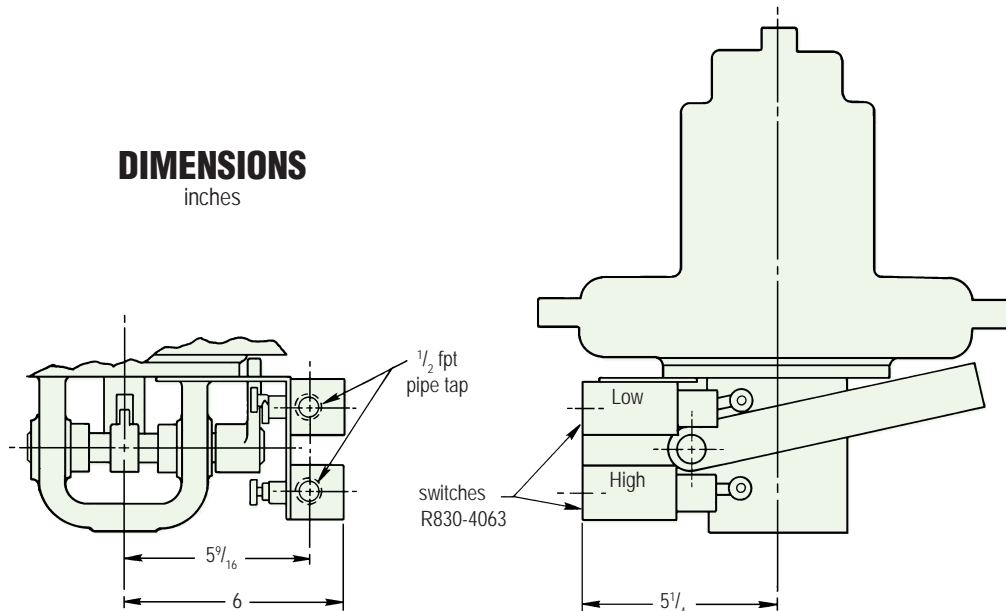
1600-6-PL Air Motor with 2-2207-6 lever arm and positioner and low NEMA 4 limit switch mounted.

**1600-WSK Weatherproof Switch Kit**

North American also offers the 1600-WSK Weatherproof Switch Kit which consists of high and low NEMA 4 limit switches with provision for field mounting on a 1600 Air Motor.



Dimensions of 1600 Air Motor with High and Low NEMA 4 Limit Switches Mounted  
 (See Bulletin 1600 for dimensions of Air Motor)



DIMENSIONS SHOWN ARE SUBJECT TO CHANGE. PLEASE OBTAIN CERTIFIED PRINTS FROM FIVES NORTH AMERICAN COMBUSTION, INC. IF SPACE LIMITATIONS OR OTHER CONSIDERATIONS MAKE EXACT DIMENSION(S) CRITICAL.

**WARNING:** Situations dangerous to personnel and property may exist with the operation and maintenance of an combustion equipment. The presence of fuels, oxidants, hot and cold combustion products, hot surfaces, electrical power in control and ignition circuits, etc., are inherent with any combustion application. Parts of this product may exceed 160F in operation and present a contact hazard. Fives North American urges compliance with National Safety Standards and insurance Underwriters recommendations, and care in operation.

Fives North American Combustion, Inc., 4455 East 71st Street, Cleveland, OH 44105 USA, Phone 216.271.6000  
 Fax 216.641.7852 email: fna.sales@fivesgroup.com • www.fivesgroup.com/fivesna