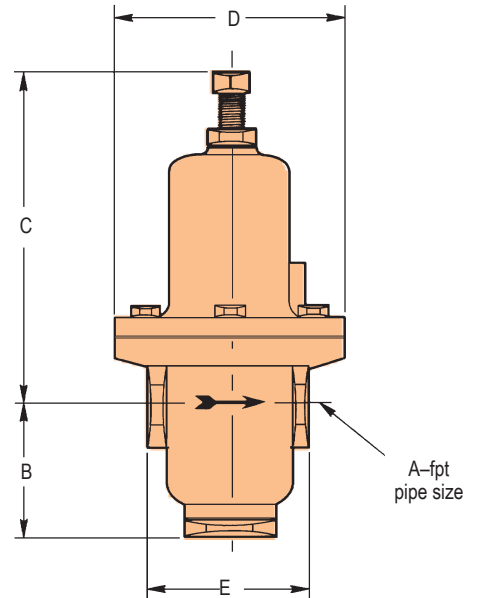


**OIL PRESSURE REGULATORS**

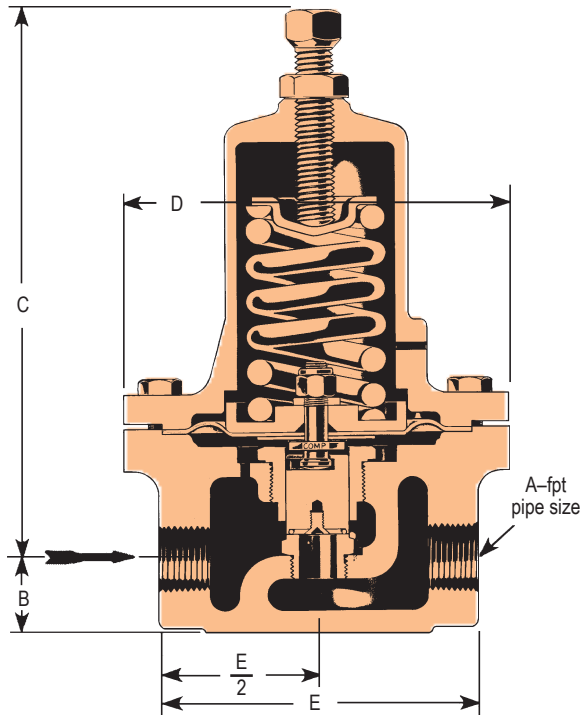
Designation	dimensions in inches				
	A	B	C	D	E
7142/7152-01	1/2	1 13/16	6	4 1/4	3 7/8
7142/7152-0	3/4	2 1/4	9	6 1/16	4 7/8
7142/7152-1	1	2 1/4	9	6 1/16	4 7/8

**Approximate Weights**

Designation	lb
7142-01	8
7142-0, -1	18
7152-01	10
7152-0, -1	20



**DIAPHRAGM RELIEF VALVES**



Designation	dimensions in inches					Wt, lb
	A	B	C	D	E	
7177-03	1/4	1	5 1/2	3 3/16	3 3/16	10
7177-01	1/2	7/8	7 3/16	4 1/4	4 1/4	10
7177-1	1	1 1/4	9 11/16	6 1/16	5	20

**Standard Springs**  
**Regulators and Relief Valves**

1/2" uses green spring #1D7455 27142  
 25-75 psig range  
 R690-6810

3/4" and 1" use green spring #1E3990 27142  
 25-75 psig range  
 R690-6815

**Relief Valve**

1/4" uses green spring #1E3926 27012  
 35-75 psig range  
 R690-6807

---

**Optional Springs**  
**Regulators and Relief Valves**

1/2" can use red spring #1E3957 27192  
 70-150 psig range  
 R690-6800

3/4" and 1" can use red spring #1E3991 27162  
 70-150 psig range  
 R690-6805

When ordering add 3rd term: -75 for st'd spring or -150 for optional spring at additional cost.

DIMENSIONS SHOWN ARE SUBJECT TO CHANGE. PLEASE OBTAIN CERTIFIED PRINTS FROM FIVES NORTH AMERICAN COMBUSTION, INC. IF SPACE LIMITATIONS OR OTHER CONSIDERATIONS MAKE EXACT DIMENSION(S) CRITICAL.

Fives North American Combustion, Inc., 4455 East 71st Street, Cleveland, OH 44105 USA, Phone 216.271.6000  
 Fax 216.641.7852 email: fna.sales@fivesgroup.com • www.fivesgroup.com/fivesna