

**2936 Blower Silencers** effectively reduce turbo blower air inrush noise, which accounts for most of the total noise generated by a blower in normal service.

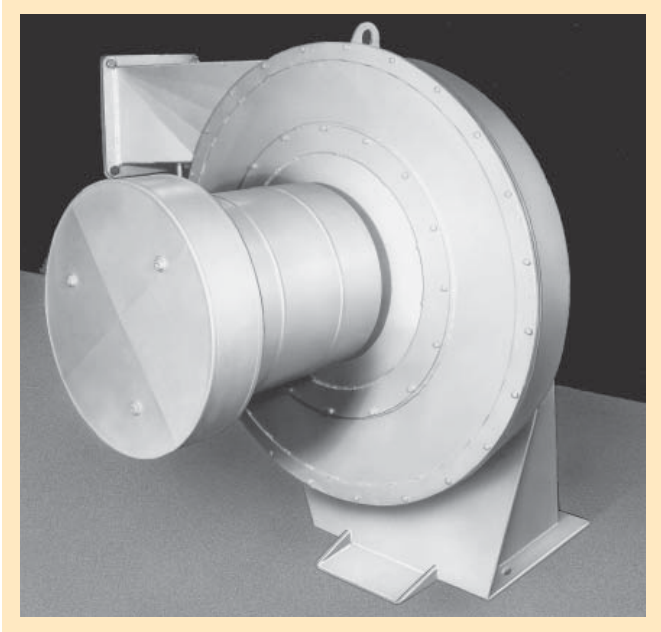
Noise is most apparent at sound frequencies of 500 to 2000 Hz. The 2936 Silencer is most effective at these and higher frequencies.

**OSHA STANDARDS**

These silencers frequently provide enough sound attenuation to comply with OSHA requirements, which limit personnel exposure time in noisy areas. A typical blower sound spectrum, with and without silencer, is plotted on an equivalent sound level contour chart (Figure 1).

Assuming workers' ears are at the test microphone location, the silencer provides compliance with the standard for 8 hours-per-day exposure.

Generally, 2936 Silencers will attenuate sound pressure levels by at least 6 dB, effectively cutting noise in half.



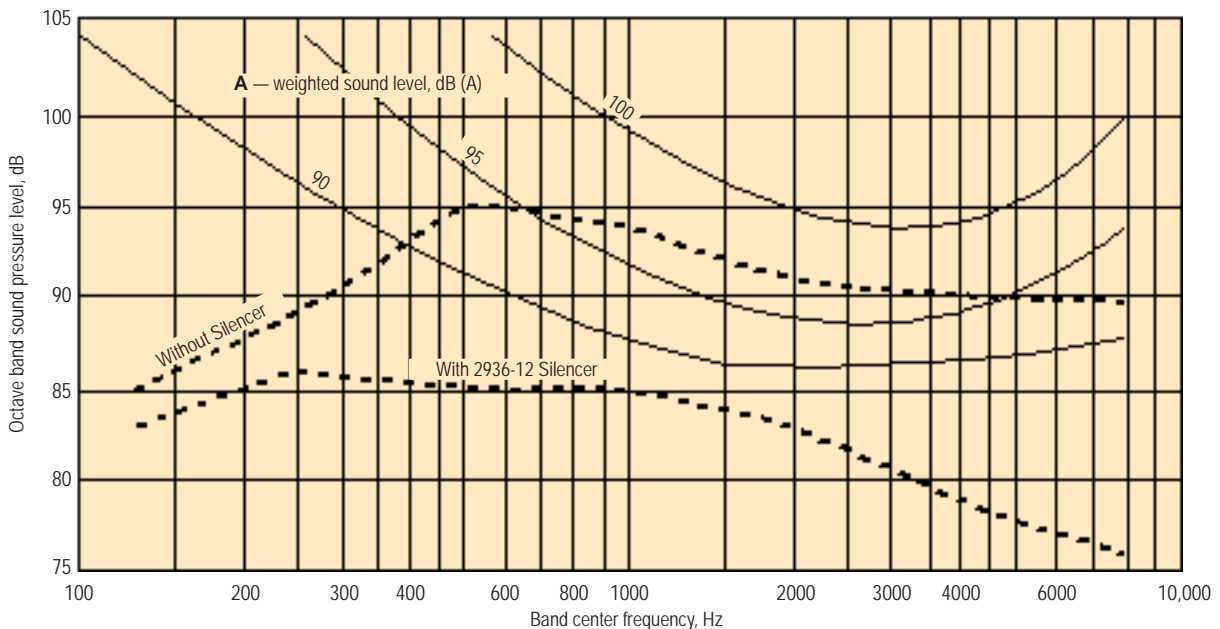
**2936-12 Silencer mounted on a 2324-33/1-T30D Blower.**

**MOUNTING AND ADAPTERS**

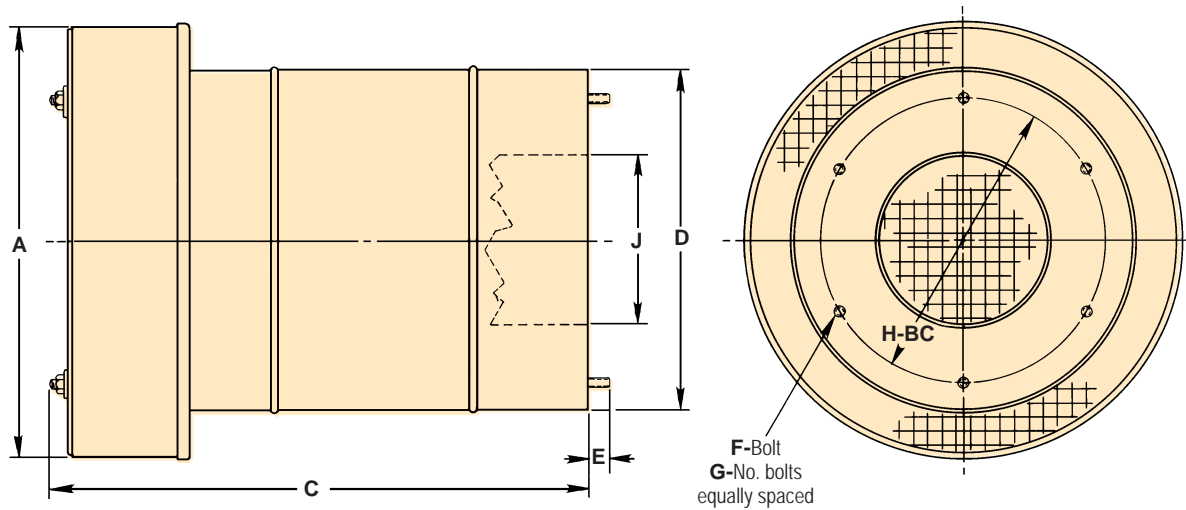
A 2936 Silencer can be mounted on any 2300 Blower having a 6" or larger inlet, and on all 2400 Blowers. Select proper silencer by matching nominal pipe size of blower inlet. (Sheet 2921-1 lists blowers and silencers.)

An adapter is required for mounting 2936 Silencers on all blowers except 2300 units with case numbers: **41, 44, 47**, and 25, 30, and 40 hp sizes of the **33** series. The adapter is automatically supplied with the silencer (at no additional charge).

A special adapter (at extra cost) is required if silencer will be mounted to a Blowertrol or inlet control valve, rather than directly to blower inlet (mounting studs on silencer are not long enough to accommodate an ANSI flange).



**Figure 1. Noise spectrum curves (broken lines) of a selected 30 hp blower, with and without silencer.**



Silencer size	For nominal blower inlet pipe size†	Dimensions in inches								Wt, lb
		A	C‡	D	E	F	G	H	J	
<b>2936-8</b>	6	15 <sup>1</sup> / <sub>16</sub>	18 <sup>9</sup> / <sub>16</sub>	12	9 <sup>1</sup> / <sub>16</sub>	5 <sup>1</sup> / <sub>16</sub> -18	6	10	6	18
<b>2936-9</b>	8	18 <sup>1</sup> / <sub>16</sub>	18 <sup>9</sup> / <sub>16</sub>	16	13 <sup>1</sup> / <sub>16</sub>	5 <sup>1</sup> / <sub>16</sub> -18	6	13 <sup>3</sup> / <sub>4</sub>	8	38
<b>2936-10</b>	10	23 <sup>1</sup> / <sub>16</sub>	22 <sup>13</sup> / <sub>16</sub>	18	13 <sup>1</sup> / <sub>16</sub>	5 <sup>1</sup> / <sub>16</sub> -18	6	17	10	46
<b>2936-12</b>	12	25 <sup>1</sup> / <sub>16</sub>	24 <sup>13</sup> / <sub>16</sub>	20	15 <sup>5</sup> / <sub>16</sub>	1 <sup>1</sup> / <sub>2</sub> -13	6	16 <sup>1</sup> / <sub>4</sub>	12	50
<b>2936-14</b>	14	29 <sup>1</sup> / <sub>16</sub>	29 <sup>13</sup> / <sub>16</sub>	22	13 <sup>1</sup> / <sub>16</sub>	3 <sup>3</sup> / <sub>8</sub> -16	6	20	14	68
<b>2936-16</b>	16	33 <sup>1</sup> / <sub>16</sub>	33 <sup>13</sup> / <sub>16</sub>	24	1 <sup>1</sup> / <sub>16</sub>	3 <sup>3</sup> / <sub>8</sub> -16	8	21 <sup>1</sup> / <sub>4</sub>	16	83
<b>2936-18</b>	18	38 <sup>1</sup> / <sub>16</sub>	38 <sup>13</sup> / <sub>16</sub>	26	1 <sup>1</sup> / <sub>16</sub>	3 <sup>3</sup> / <sub>8</sub> -16	8	23 <sup>1</sup> / <sub>4</sub>	18	126
<b>2936-20</b>	20	40 <sup>1</sup> / <sub>16</sub>	43 <sup>13</sup> / <sub>16</sub>	28	1 <sup>1</sup> / <sub>16</sub>	5 <sup>1</sup> / <sub>8</sub> -11	10	25 <sup>1</sup> / <sub>4</sub>	20	139
<b>2936-24</b>	24	48 <sup>1</sup> / <sub>16</sub>	49	34	1 <sup>1</sup> / <sub>4</sub>	5 <sup>1</sup> / <sub>8</sub> -11	20	27 <sup>3</sup> / <sub>4</sub>	22	225

† Dimension "S" on 2300 and 2400 blower dimension sheets (without regard to footnotes for inlet valves).

‡ Distance from center line of blower discharge to inlet of silencer can be found by adding "C" dimension shown above to "B" dimension on 2300 and 2400 dimension sheets. This combined length allows space for adapter and mounting bolt clearance required during assembly of silencer to blower.

2400-D Blowers use a 2936-10-D Silencer with adapter.

2400-F Blowers use a 2936-12-F Silencer with adapter.

2400-G Blowers use a 2936-20-G Silencer with adapter.

To order, specify: The complete silencer part no. as per Sheet 2921-1.

DIMENSIONS SHOWN ARE SUBJECT TO CHANGE. PLEASE OBTAIN CERTIFIED PRINTS FROM FIVES NORTH AMERICAN COMBUSTION, INC. IF SPACE LIMITATIONS OR OTHER CONSIDERATIONS MAKE EXACT DIMENSION(S) CRITICAL.

**WARNING:** Situations dangerous to personnel and property may exist with the operation and maintenance of a combustion equipment. The presence of fuels, oxidants, hot and cold combustion products, hot surfaces, electrical power in control and ignition circuits, etc., are inherent with any combustion application. Parts of this product may exceed 160F in operation and present a contact hazard. Fives North American urges compliance with National Safety Standards and insurance Underwriters recommendations, and care in operation.

Fives North American Combustion, Inc., 4455 East 71st Street, Cleveland, OH 44105 USA, Phone 216.271.6000  
Fax 216.641.7852 email: fna.sales@fivesgroup.com • www.fivesgroup.com/fivesna