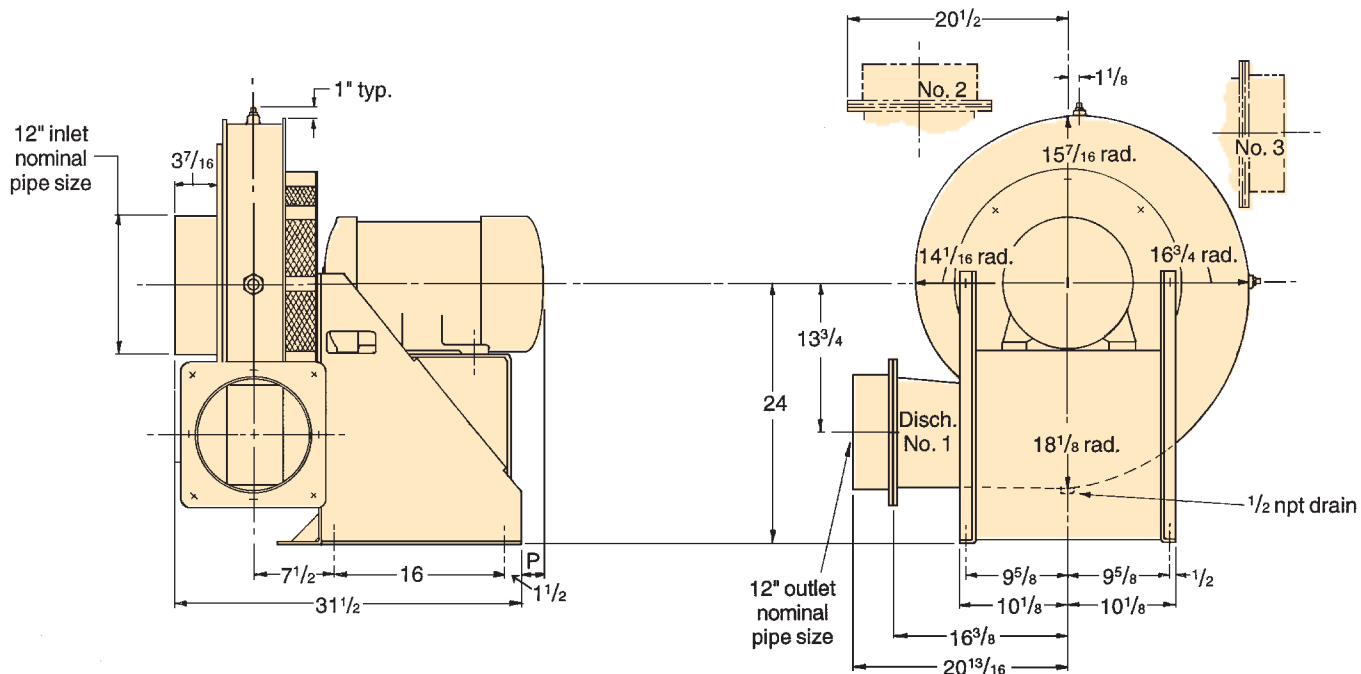
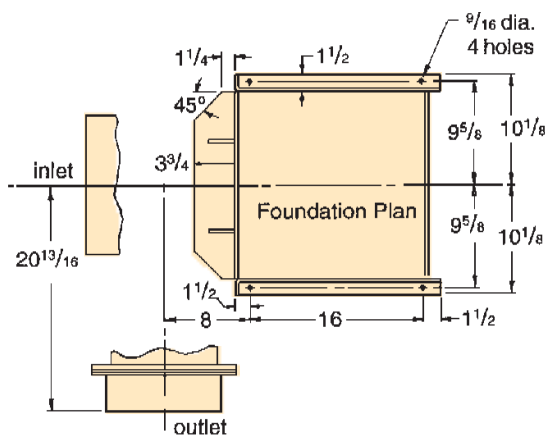


Dimensions (in inches) of 2600-F Series Hot Air Blowers



| Blower | P |
|--------------|-------|
| 2616-F-15/15 | 1 1/4 |
| 2616-F-20/20 | 3 |
| 2616-F-25/25 | 4 1/4 |
| 2616-F-30/30 | 5 3/4 |
| 2620-F-15/15 | 1 1/4 |
| 2620-F-20/20 | 3 |
| 2620-F-25/25 | 4 1/4 |
| 2620-F-30/30 | 5 3/4 |
| 2624-F-20/20 | 3 |
| 2624-F-25/25 | 4 1/4 |
| 2624-F-30/30 | 5 3/4 |



DIMENSIONS SHOWN ARE SUBJECT TO CHANGE. PLEASE OBTAIN CERTIFIED PRINTS FROM FIVES NORTH AMERICAN IF SPACE LIMITATIONS OR OTHER CONSIDERATIONS MAKE EXACT DIMENSION(S) CRITICAL.

WARNING: Situations dangerous to personnel and property may exist with the operation and maintenance of an combustion equipment. The presence of fuels, oxidants, hot and cold combustion products, hot surfaces, electrical power in control and ignition circuits, etc., are inherent with any combustion application. Parts of this product may exceed 160F in operation and present a contact hazard. Fives North American urges compliance with National Safety Standards and insurance Underwriters recommendations, and care in operation.