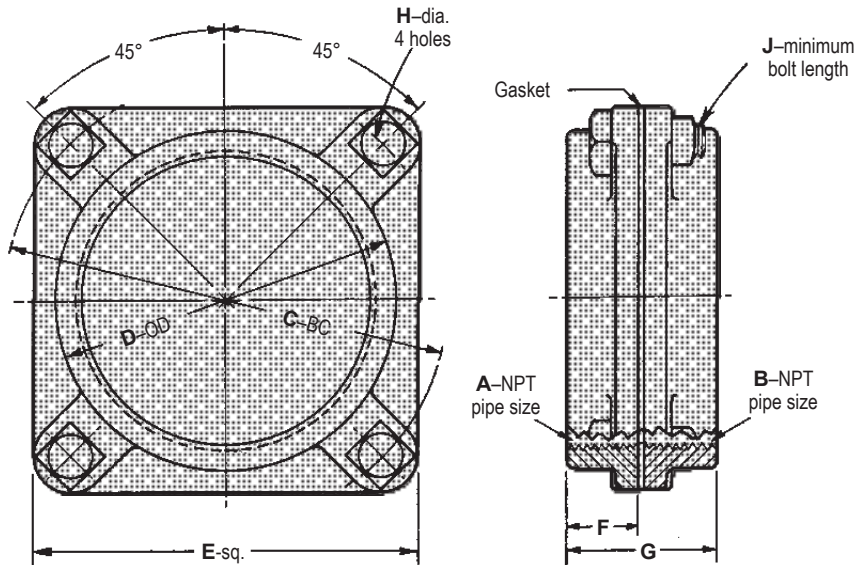


Series 8764 Flange Unions consist of two 8765 four-bolt flanges with gasket, nuts, and bolts. To order a single flange, less gasket, nuts, or bolts, specify 8765.

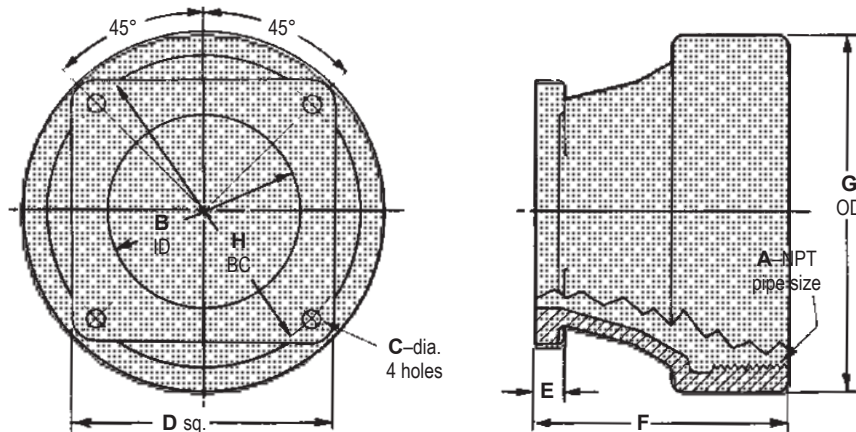


Metric Conversions

1" = 25.40 mm
 1 lb = 0.4536 kg

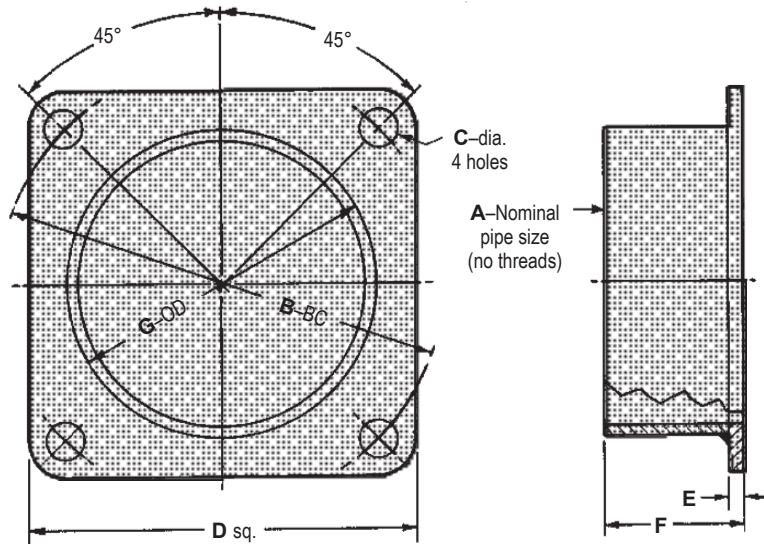
Union (8764-) or Flange (8765-) designation	dimensions in inches										Weight, lb	
	A	B	C	D	E	F	G (8764 only)	H	J (8764 only)	Flange Union (8764)	One Flange (8765)	
-0-B	3/4	3/4	3 ⁹ / ₁₆	2 ¹ / ₁₆	3 ¹ / ₄	1	2 ¹ / ₁₆	9/32	1 ³ / ₈	2 ³ / ₄	1 ¹ / ₄	
-1-B	1	1	3 ⁹ / ₁₆	2 ¹ / ₁₆	3 ¹ / ₄	1	2 ¹ / ₁₆	9/32	1 ³ / ₈	2 ³ / ₄	1 ¹ / ₄	
-2-B	1 ¹ / ₄	1 ¹ / ₄	3 ⁹ / ₁₆	2 ¹ / ₁₆	3 ¹ / ₄	1	2 ¹ / ₁₆	9/32	1 ³ / ₈	2 ³ / ₄	1 ¹ / ₄	
-3-B	1 ¹ / ₂	1 ¹ / ₂	3 ⁹ / ₁₆	2 ⁵ / ₈	3 ¹ / ₄	1	2 ¹ / ₁₆	9/32	1 ³ / ₈	2 ³ / ₄	1 ¹ / ₄	
-3 × 4-B	1 ¹ / ₂	2	3 ⁹ / ₁₆	-	3 ¹ / ₄	1	2 ¹ / ₁₆	9/32	1 ³ / ₈	2 ¹ / ₂	-	
-4-B	2	2	3 ⁹ / ₁₆	2 ¹ / ₈	3 ¹ / ₄	1	2 ¹ / ₁₆	9/32	1 ³ / ₈	2 ¹ / ₄	1	
-4-C	2	2	4 ⁹ / ₁₆	3 ¹ / ₄	4	1 ¹ / ₈	2 ⁵ / ₁₆	9/32	1 ³ / ₈	4 ¹ / ₄	2	
-5-C	2 ¹ / ₂	2 ¹ / ₂	4 ⁹ / ₁₆	3 ⁵ / ₈	4	1 ¹ / ₈	2 ⁵ / ₁₆	11/32	1 ⁵ / ₈	3 ³ / ₄	1 ³ / ₄	
-5 × 6-C	2 ¹ / ₂	3	4 ⁹ / ₁₆	-	4	-	2 ¹¹ / ₁₆	11/32	1 ⁵ / ₈	3 ³ / ₄	-	
-6-C	3	3	4 ⁹ / ₁₆	4	4	1 ¹ / ₂	3 ¹ / ₁₆	11/32	1 ⁵ / ₈	3 ³ / ₄	1 ³ / ₄	
-6-D	3	3	6 ³ / ₈	4 ³ / ₁₆	5 ¹ / ₂	1 ¹ / ₂	3 ¹ / ₁₆	13/32	1 ⁵ / ₈	8 ³ / ₄	4 ¹ / ₄	
-6 × 7-D	3	4	6 ³ / ₈	-	5 ¹ / ₂	1 ¹ / ₂	3 ¹ / ₁₆	13/32	1 ⁵ / ₈	8 ¹ / ₄	-	
-7-D	4	4	6 ³ / ₈	5 ¹ / ₁₆	5 ¹ / ₂	1 ¹ / ₂	3 ¹ / ₁₆	13/32	1 ⁵ / ₈	7 ³ / ₄	3 ³ / ₄	
-8-E	6	6	9 ¹ / ₄	8	8 ¹ / ₄	1 ³ / ₄	3 ⁹ / ₁₆	17/32	2 ¹ / ₈	28 ¹ / ₂	11 ¹ / ₂	
-9-F	8	8	12 ³ / ₈	9 ¹ / ₂	10 ³ / ₄	1 ³ / ₄	3 ⁹ / ₁₆	1	2 ⁵ / ₈	40 ¹ / ₂	18 ¹ / ₂	

FLOWER POT REDUCING FLANGE



Flange designation	dimensions in inches								Wt, lb
	A	B	C	D	E	F	G	H	
8765-8 x 7-D	6	4	13/32	5 1/2	9/16	5 5/16	7 1/2	6 3/8	10

WELDING FLANGES



Flange designation	dimensions in inches						Wt, lb
	A	B	C	D	E	F	
8765-9-FW	8	12 3/8	1	10 3/4	5/16	3 13/16	8 5/8
8765-10-FW	10	12 3/8	1	10 3/4	3/8	4 3/8	10 3/8
8765-10-GW	10	17 11/16	1 1/8	14 3/4	3/8	4 3/8	10 3/4
8765-12-GW	12	17 11/16	1 1/8	14 3/4	3/8	4 3/8	12 3/4
8765-14-GW	14	17 11/16	1 1/8	14 3/4	3/8	4 3/8	14

DIMENSIONS SHOWN ARE SUBJECT TO CHANGE. PLEASE OBTAIN CERTIFIED PRINTS FROM FIVES NORTH AMERICAN COMBUSTION, INC.
IF SPACE LIMITATIONS OR OTHER CONSIDERATIONS MAKE EXACT DIMENSION(S) CRITICAL.

WARNING: Situations dangerous to personnel and property may exist with the operation and maintenance of any combustion equipment. The presence of fuels, oxidants, hot and cold combustion products, hot surfaces, electrical power in control and ignition circuits, etc., are inherent with any combustion application. Parts of this product may exceed 160F in operation and present a contact hazard. Fives North American urges compliance with National Safety Standards and insurance Underwriters recommendations, and care in operation.

Fives North American Combustion, Inc., 4455 East 71st Street, Cleveland, OH 44105 USA, Phone 216.271.6000
Fax 216.641.7852 email: fna.sales@fivesgroup.com • www.fivesgroup.com/fivesna