

Pressure switches are used with Automatic Shutoff Valves or solenoid valves to interrupt fuel flow in the event of fuel or air failure. They are also used with Supervising Valve Systems (Bulletin 1857) and to protect regulators and other control devices from excessive pressures.

Fives North American offers a variety of standard snap-acting pressure switches to monitor both static and differential pressures. Standard pressure switches are offered in multiple ranges and for different process fluids including air, natural gas, oil and steam. For applications requiring explosion-proof switches, oxygen service, or any other special requirement, contact Fives North American for further information.



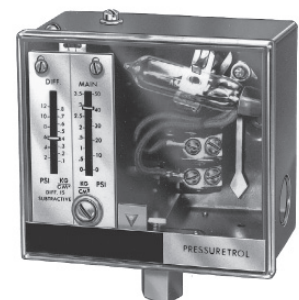
**8757-GAO, -GML, -GMH:**

- Pressure switches for gas or air
- Ranges from 0.16" wc up to 200" wc
  - SPDT snap-action switch
  - NEMA 4 enclosure
  - FM, UL, CSA approve



**8757-PG, -DS:**

- Pressure switches for air, or gas and air
- Ranges from 1" wc up to 150 PSI
  - SPDT snap-action switch
  - FM, UL, CSA approvals



**8757-L404:**

- Pressure switches for oil or steam
- Ranges from 5 PSI to 150 PSI
  - Snap-action switch NO, NC, SPDT
  - UL, CSA approved



**8757-xNN:**

- Pressure switches for gas, air, or oil
- Ranges from 2 PSI to 180 PSI
  - SPDT snap-action switch
  - NEMA 4X enclosure
  - FM approved



**8757-SB:**

- Pressure switches for gas or oil
- Ranges from 2" up to 100 PSI
  - SPDT snap-action switch
  - NEMA 4 enclosure
  - FM, UL approved



**8757-H400:**

- Pressure switch for gas, air, or oil
- Ranges from 2" wc to 100 PSI
  - SPDT snap-action switch
  - NEMA 4X enclosure
  - FM, UL, CE approved

PRESSURE SWITCHES - STATIC PRESSURE

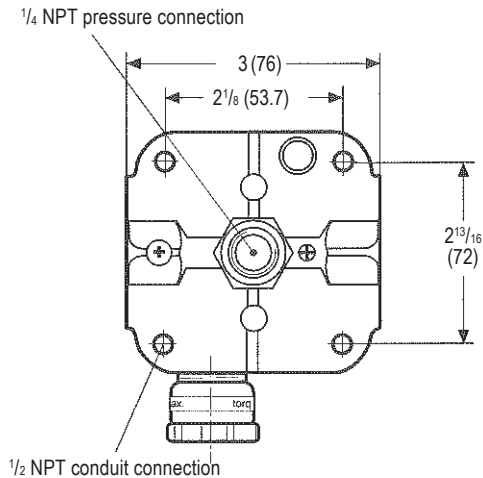
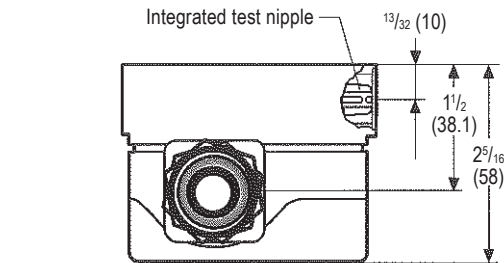
North American Switch Designation	Service	Action Pressure Rise	Range of Operating Pressures	Max Static psi	Max Ambient Temp F	Differential Pressure (Dead Band)	Switch Rating		Approvals	Enclosure	Notes
							120Vac (Amps)	240Vac (Amps)			
8757-A902	Air	SPDT1	0.08-2.0" wc	15" wc	165	0.07" wc	10	8	FM, UL, CSA	-	1
8757-PG70-153/P1	Air	SPDT1	1-30" wc	2	180	3" wc	15	8	UL	1	1
8757-PG72-804/P1	Air	DPDT2	1-30" wc	2	180	0.6" wc	5	5	UL	1	2
8757-PG70-153/P2	Air	SPDT1	0.5-5 psi	10	180	0.44 psi	15	8	UL	1	1
8757-PG72-804/P2	Air	DPDT2	0.5-5 psi	10	180	0.16 psi	5	5	UL	1	2
8757-GAO-A4/4/2	Gas, Air	SPDT1	0.16-1.2" wc	7	140	0.12" wc	10	5	FM, UL, CSA	4	1
8757-H400-440	Gas, Air	SPDT1	0-2" wc	225	160	0.07-0.25" wc	15	15	FM, UL, CE	4X	1,8
8757-GAO-A4/4/3	Gas, Air	SPDT1	0.4-4.0" wc	7	140	0.2" wc	10	5	FM, UL, CSA	4	1
8757-H400-441	Gas, Air	SPDT1	0-10" wc	225	160	0.15-0.3" wc	15	15	FM, UL, CE	4X	1,8
8757-SB41DV/5	Gas, Air	SPDT1	2-12" wc	25	140	1.0" wc	5	5	FM, UL	4	1
8757-H400-442	Gas, Air	SPDT1	0-20" wc	225	160	0.2-0.5" wc	15	15	FM, UL, CE	4X	1,8
8757-GML-A4/4/4	Gas, Air	SPDT1	1-20" wc	7	140	0.4" wc	10	5	FM, UL, CSA	4	1,9
8757-GAO-A4/4/5	Gas, Air	SPDT1	2-20" wc	7	140	0.4" wc	10	5	FM, UL, CSA	4	1
8757-GAO-A4/4/6	Gas, Air	SPDT1	12-60" wc	7	140	1.2" wc	10	5	FM, UL, CSA	4	1
8757-GMH-A4/4/6	Gas, Air	SPDT1	12-60" wc	7	140	1.2" wc	10	5	FM, UL, CSA	4	1,9
8757-GML-A4/4/6	Gas, Air	SPDT1	12-60" wc	7	140	1.2" wc	10	5	FM, UL, CSA	4	1,9
8757-H400-443	Gas, Air	SPDT1	0-80" wc	225	160	0.5-1.8" wc	15	15	FM, UL, CE	4X	1,8
8757-GAO-A4/4/8	Gas, Air	SPDT1	40-200" wc	14	140	4.0" wc	10	5	FM, UL, CSA	4	1
8757-H400-453	Gas, Air	SPDT1	0-20 psi	225	160	0.05-0.2 psi	15	15	FM, UL, CE	4X	1,8
8757-H400-454	Gas, Air	SPDT1	0-30 psi	225	160	0.05-0.3 psi	15	15	FM, UL, CE	4X	1,8
8757-DSF-7231/4	Gas, Air	SPDT1	1-35 psi	38.5	180	1.5 psi	15	7.5	FM, UL, CSA	1	1,5
8757-DSF-7231/7	Gas, Air	SPDT1	5-150 psi	165	180	3 psi	15	7.5	FM, UL, CSA	1	1,5
8757-H400-137	Gas, Air, Oil	SPDT1	0-80" wc	5	160	2-6" wc	15	15	FM, UL, CE	4X	1,8
8757-12NNCA4	Gas, Air, Oil	SPDT1	0.5-6 psi	200	180	0.4 psi	22	22	FM	4X	1
8757-12NNCA45	Gas, Air, Oil	SPDT1	1-16 psi	200	180	0.6 psi	22	22	FM	4X	1
8757-H400-144	Gas, Air, Oil	SPDT1	0-20 psi	25	160	0.1-0.5 psi	15	15	FM, UL, CE	4X	1,8
8757-4NNCA4	Gas, Air, Oil	SPDT1	2-25 psi	750	180	1.2 psi	22	22	FM	4X	1
8757-H400-146	Gas, Air, Oil	SPDT1	0-30 psi	40	160	0.1-0.6 psi	15	15	FM, UL, CE	4X	1,8
8757-4NNCA5	Gas, Air, Oil	SPDT1	3-50 psi	750	180	1.6 psi	22	22	FM	4X	1
8757-4NNCA45	Gas, Air, Oil	SPDT1	4-75 psi	750	180	2.0 psi	22	22	FM	4X	1
8757-6NNCA3	Gas, Air, Oil	SPDT1	12-100 psi	1500	180	3.6 psi	22	22	FM	4X	1
8757-6NNCA5	Gas, Air, Oil	SPDT1	20-180 psi	1500	180	5.6 psi	22	22	FM	4X	1
8757-SB31DV/1	Gas, Oil	SPDT1	2-27" wc	25	140	1.2" wc	5	5	FM, UL	4	1
8757-SB21DV/6	Gas, Oil	SPDT1	2-65" wc	25	140	1.4" wc	5	5	FM, UL	4	1
8757-SB21DV/2	Gas, Oil	SPDT1	15-140" wc	40	140	3.0" wc	5	5	FM, UL	4	1
8757-SB11DV/7	Gas, Oil	SPDT1	15-250" wc	40	140	6.0" wc	5	5	FM, UL	4	1
8757-SB11DV/3	Gas, Oil	SPDT1	25-400" wc	40	140	8.0" wc	5	5	FM, UL	4	1
8757-SB11DV/4	Gas, Oil	SPDT1	2-60 psi	150	140	1.5 psi	5	5	FM, UL	4	1
8757-SB11DV/8	Gas, Oil	SPDT1	3-100 psi	200	140	2.5 psi	5	5	FM, UL	4	1
8757-L404T1055	Oil	Open3	5-50 psi	85	150	6-14 psi	8	5.1	UL, CSA	1	3,7
8757-L404V1095	Oil	Close4	5-50 psi	85	150	6-14 psi	8	5.1	UL, CSA	1	4,7
8757-H400-156	Oil	SPDT1	0-100 psi	125	160	0.2-0.8 psi	15	15	FM, UL, CE	4X	1,8
8757-L404T1063	Oil	Open3	10-150 psi	225	150	10-22 psi	8	5.1	UL, CSA	1	3,7
8757-L404V1087	Oil	Close4	10-150 psi	225	150	10-22 psi	8	5.1	UL, CSA	1	4,7
8757-H400-164	Oil	SPDT1	0-200 psi	200	160	0.3-2 psi	15	15	FM, UL, CE	4X	1,8
8757-L404F1078	Steam	SPDT1	5-50 psi	85	150	6-14 psi	8	5.1	UL, CSA	1	1,6
8757-L404F1375	Steam	R-W Makes	5-50 psi	85	150	6-14 psi	8	5.1	UL, CSA	1	6
8757-L404F1102	Steam	SPDT1	10-150 psi	225	150	10-22 psi	8	5.1	UL, CSA	1	1,6
8757-L404F1383	Steam	R-W Makes	10-150 psi	225	150	10-22 psi	8	5.1	UL, CSA	1	6

**PRESSURE SWITCHES - DIFFERENTIAL PRESSURE**

North American Switch Designation	Service	Action Pressure Rise	Range of Operating Pressures	Max Static psi	Max Ambient Temp F	Differential Pressure (Dead Band)	Switch Rating 120Vac (Amps)	Switch Rating 240Vac (Amps)	Approvals	Enclosure	Notes
8757-A902	Air	SPDT1	0.08-2.0" wc	15" wc	165	0.07" wc	10	8	FM, UL, CSA	-	1
8757-PG70-153/P1	Air	SPDT1	1-30" wc	2	180	3" wc	15	8	UL	1	1
8757-PG72-804/P1	Air	DPDT2	1-30" wc	2	180	0.6" wc	5	5	UL	1	2
8757-PG70-153/P2	Air	SPDT1	0.5-5 psi	10	180	0.44 psi	15	8	UL	1	1
8757-PG72-804/P2	Air	DPDT2	0.5-5 psi	10	180	0.16 psi	5	5	UL	1	2
8757-PGW70-153/P2	Air	SPDT1	0.5-5 psi	10	180	0.16 psi	15	8	UL	3R	1
8757-SB41D/15	Gas, Air	SPDT1	0-12" wc	15	140	1.0" wc	15	10	UL, CSA	4	1
8757-SB31D/11	Gas, Air	SPDT1	0-27" wc	15	140	1.2" wc	15	10	UL, CSA	4	1
8757-SB21D/16	Gas, Air	SPDT1	0-65" wc	15	140	1.4" wc	15	10	UL, CSA	4	1
8757-H400K-455	Gas, Air	SPDT1	5-80" wc	225	160	1-4" wc	15	15	FM, UL, CE	4X	1,8
8757-SB21D/12	Gas, Air	SPDT1	15-140" WC	25	140	3.0" wc	15	10	UL, CSA	4	1
8757-SB11D/13	Gas, Air	SPDT1	25-400" WC	25	140	8.0" wc	15	10	UL, CSA	4	1
8757-H400K-457	Gas, Air	SPDT1	3-30 psi	225	160	0.1-0.4 psi	15	15	FM, UL, CE	4X	1,8
8757-101NNK45	Gas, Air, Oil	SPDT1	10-75 psi	500	180	1.5 psi	15	15	-	4X	1

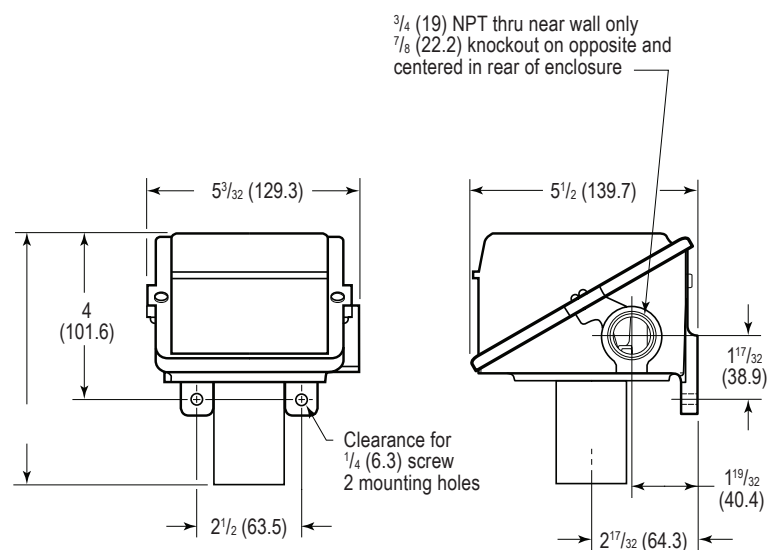
**NOTES:**

1. SPDT (Single Pole Double Throw) action means the switch makes one circuit and breaks another.
2. DPDT (Double Pole Double Throw) action means the switch makes two circuits and breaks two circuits.
3. Open or the switch is normally closed.
4. Close or the switch is normally open.
5. These pressure switches must be mounted level and where they are relatively free from vibration.
6. A siphon (ordered separately) must always be connected between the pressure switch and the line when used with steam to act as a thermal buffer.  
Specify R830-6699 for 180° siphon, R830-6698 for a 90° siphon.
7. When used with pre-heated oil, a siphon loop must always be connected between the pressure switch and main pipe to act as a thermal buffer.
8. Pressure listed under heading "Max Static psi" is this switches Proof Pressure.
9. Manual Reset required.

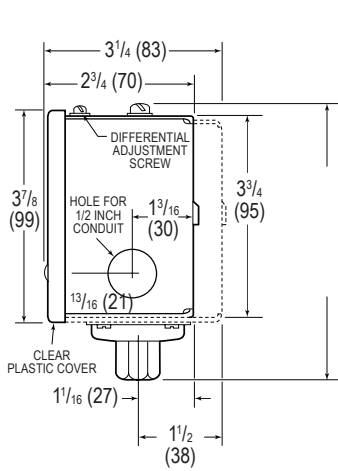


**8757-GAO, -GML, -GMH**

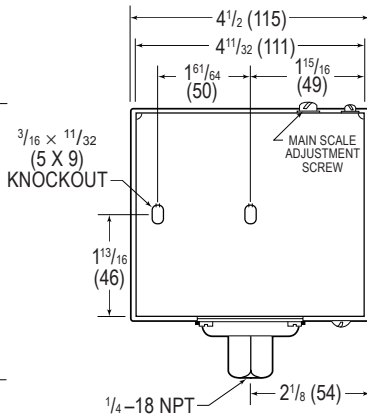
**DIMENSIONS**  
in inches (mm)



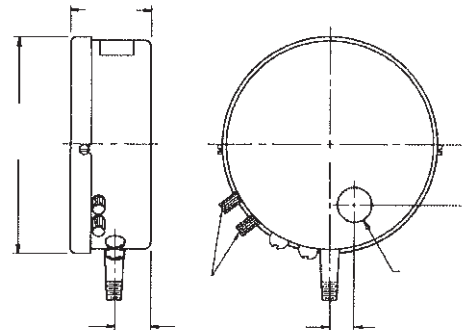
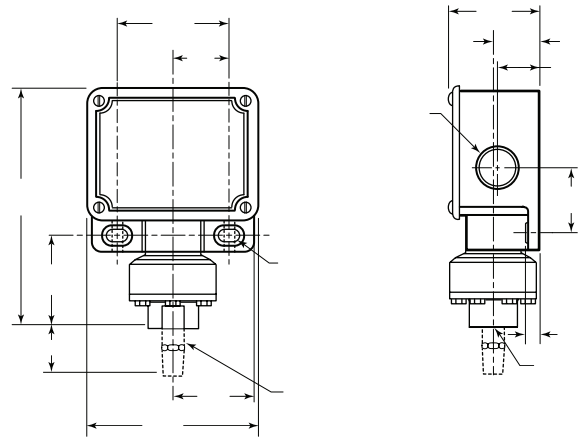
**8757-H400**



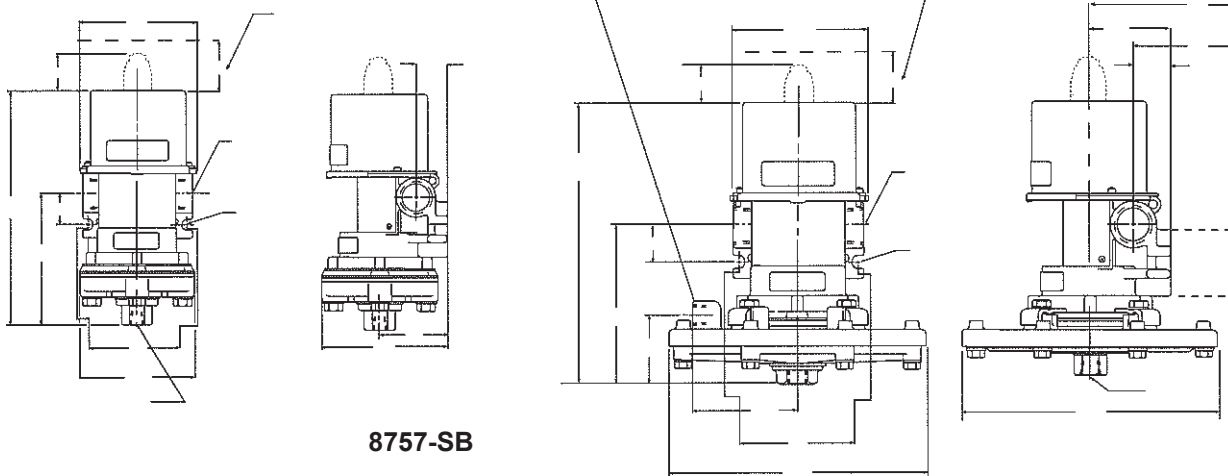
**8757-L404**



**8757-xNN**



**8757-DS**



**8757-SB**

DIMENSIONS SHOWN ARE SUBJECT TO CHANGE. PLEASE OBTAIN CERTIFIED PRINTS FROM FIVES NORTH AMERICAN COMBUSTION, INC. IF SPACE LIMITATIONS OR OTHER CONSIDERATIONS MAKE EXACT DIMENSION(S) CRITICAL.

**WARNING:** Situations dangerous to personnel and property may exist with the operation and maintenance of any combustion equipment. The presence of fuels, oxidants, hot and cold combustion products, hot surfaces, electrical power in control and ignition circuits, etc., are inherent with any combustion application. Parts of this product may exceed 160F in operation and present a contact hazard. Fives North American urges compliance with National Safety Standards and insurance Underwriters recommendations, and care in operation.

Fives North American Combustion, Inc. - 4455 East 71st Street - Cleveland, OH 44105 USA - Phone 216.271.6000  
Fax 216.641.7852 - email: [fna.sales@fivesgroup.com](mailto:fna.sales@fivesgroup.com) - [www.fivesgroup.com/fivesna](http://www.fivesgroup.com/fivesna)